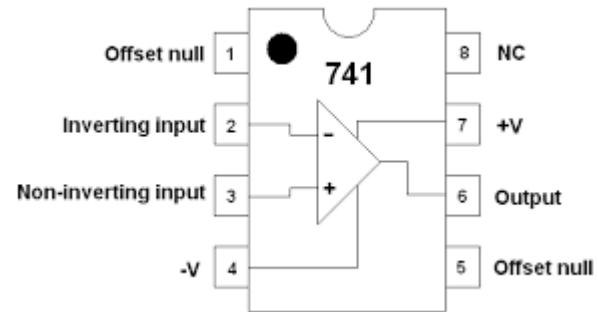
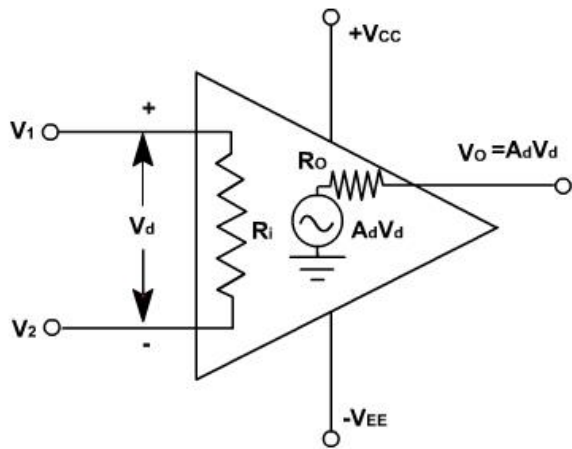
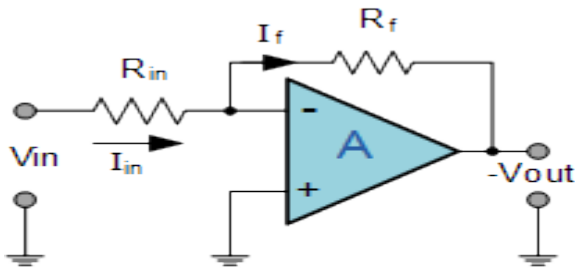


Operasjonsforsterker

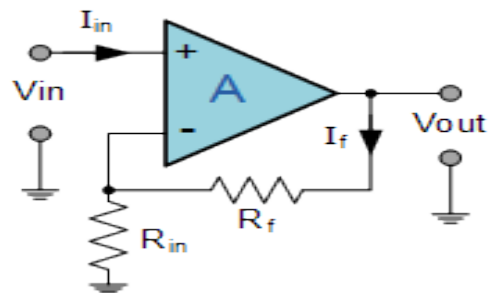


Inverting Op-amp



$$A = \frac{V_{out}}{V_{in}} = - \frac{R_f}{R_{in}}$$

Non-inverting Op-amp



$$A = \frac{V_{out}}{V_{in}} = 1 + \frac{R_f}{R_{in}}$$

